

LIFTMOORE 4064 CRANE

40,000 FT.-LB. MOMENT RATING
6,400 LB. MAXIMUM CAPACITY

- Power Extension to 22 FT.
- Wireless or Wired Control
- Planetary Gear Winch
- Unlimited Rotation
- External Gear Bearing
- Worm Gear Rotation
- Rectangular Boom
- 4064XP-22 Full Power extension from 10 Ft. to 22 Ft.
- 4064XP-30 Full Power extension from 14 Ft. to 30 Ft.



Anti Two-Block

Power Boom Extension

95 ft of 3/8" GAC

Travel Block with Swivel Hook & Safety Latch

Planetary Gear Winch

Power Boom Elevation

Model 4064XP

Worm Gear Rotation

Available with Either
Wired or Wireless
Controls

Rotates on Gear
Bearing Slewing

LOAD CAPACITY - LBS. 40,000 FT-LBS

BOOM LENGTH - FT.	0°	15°	30°	45°	60°	75°
10	4000	4141	4619	5657	6400	6400
12	3333	3451	3849	4714	6400	6400
14	2857	2958	3299	4041	5714	6400
16	2500	2588	2887	3536	5000	6400
18	2222	2301	2566	3143	4444	6400
20	2000	2071	2309	2828	4000	6400
22	1818	1882	2099	2571	3636	6400

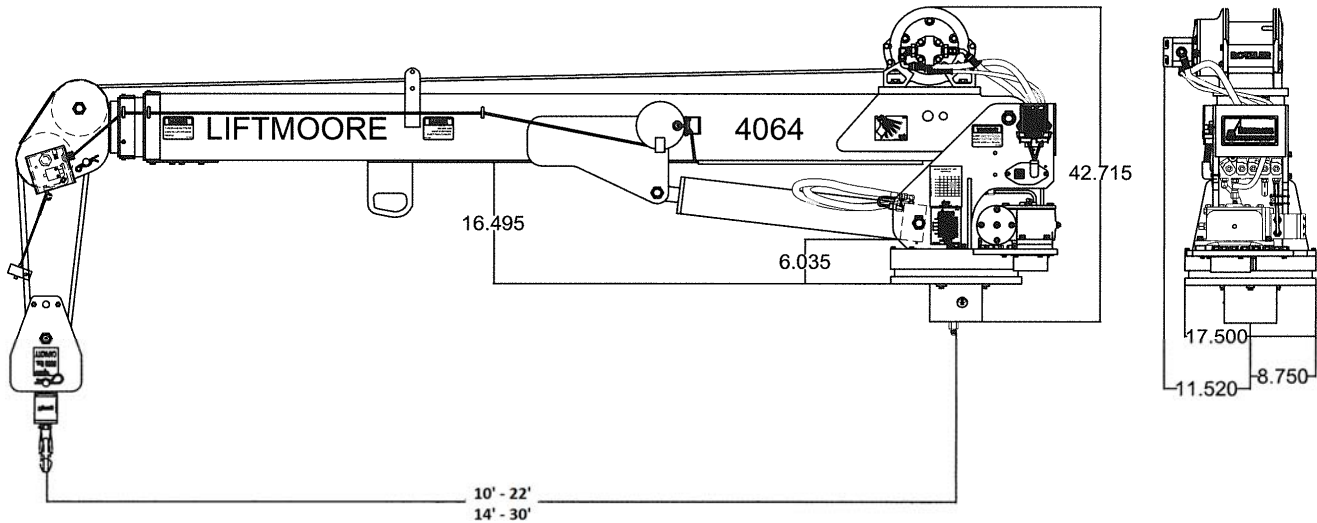


HOUSTON, TEXAS
FAX: (800) 824-5559 (USA & Canada)
FAX: (713) 688-6324
PHONE: (713) 688-5533
www.liftmoore.com



22377

4064 SPECIFICATIONS



CAPACITY: Moment rating of 40,000 ft.-lbs. with lift capacities as follows.

- 6400 lbs. @ 6.2 ft.*
- 4000 lbs. @ 10 ft. *
- 2660 lbs. @ 15 ft.
- 2000 lbs. @ 20 ft.
- 1818 lbs. @ 22 ft.

* Requires use of travel block double line for loads above 3,000 lbs.

HOIST WINCH: The hoist winch is a planetary gear design with a 4,200 lb. single line, bare drum capacity. Ratio between winch drum and wire rope meets ANSI B30.5 requirements. A gear type hydraulic motor powers the winch. No load line speed is 45 FPM @ 6 GPM. A spring applied, pressure released brake system is used for holding and lowering loads. A one way clutch releases the brake during hoisting.

WIRE ROPE and SHEAVES: The crane is supplied with 95 Ft. of 3/8 in. galvanized aircraft cable. Minimum breaking strength of the rope is 14,400 lbs. The wire rope is outside of the boom and visible for operators continual inspection. A 3-ton capacity hook with a thrust bearing swivel, traveling block for easy two-part rigging is included. Sheaves are a non-metallic material for improved life of both the sheave and wire rope. All sheaves meet ANSI requirements.

HYDRAULIC SYSTEM: All crane functions are hydraulically powered by an externally (engine) driven hydraulic pump. PTO, Pump, Reservoir and Hoses are not supplied with crane. Flow and Pressure requirements are 8 GPM and 2750 PSI. A proportional hydraulic valve in the manifold controls the crane's speed. All directional control valves are incorporated in a single manifold. A pressure compensated flow control system is used. This system allows excess flow to be dumped at the pressure required by the operating function. This reduces heat build up in the hydraulic oil.

ROTATION SYSTEM:

Rotation is 360 degrees continuous and unlimited on a gear bearing with an external gear driven by a worm gearbox. The worm gearbox ratio is 45:1 and it is driven by a low speed, high torque hydraulic motor.

CONTROL: Either a standard wired control pendant or a wireless radio control can be supplied for controlling the crane. Either system provides a trigger for speed control. The radio transmitter includes a rechargeable battery system. The wireless control is supplied with a CAN wire system so that it can be used as a wired control. The transmitter can be charged with this cable. A 12VDC in cab charger is supplied.

BOOM ELEVATION: The boom is capable of operating from -5 to + 75 degrees. A double acting cylinder elevates the boom. The cylinder has an integral counterbalance valve. The counterbalance valve has three safety purposes. It will hold the cylinder in the event of hose failure, it controls the rate of boom descent and it functions as a relief valve. The cylinder rod is chrome plated and poly seals are used in the cylinder for best possible load holding capability.

BOOM EXTENSION:

4064XP-22: Extends under hydraulic power from 10 to 22 feet. Two Hydraulic cylinders with an integral counterbalance valve extend the boom throughout its 12-foot extension.

4064XP-30: Extends under hydraulic power from 14 to 30 feet. Two Hydraulic cylinders with an integral counterbalance valve extend the boom throughout its 16-foot extension

ANTI TWO-BLOCK:

The anti two-block is standard on this crane & prevents extending the boom against the travel block with possible breakage of the cable

LOAD SENSOR:

A load sensor is included as standard equipment. The sensor is set to limit overloads when using hoist up, boom extend out & boom down. Boom up is limited by the systems hydraulic pressure setting. When an overload is detected the load can be lowered to reset the overload sensor.

MOUNTING: A minimum 19,500 Lb. GVWR recommended.

Four 7/8" Grade 8 bolts are required. Bolts are not furnished. Mounting plate is 17.5" square with a 14-3/4" square bolt pattern.

ACCESSORIES:

An outrigger is needed for stability requirements of OSHA 1910.180. The outrigger is necessary to reduce the load on the crane's rotation mechanism and the truck's suspension. A Boom rest is also required. Liftmoore offers both as options.



HOUSTON, TEXAS
 FAX: (800) 824-5559 (USA & Canada)
 FAX: (713) 688-6324
 PHONE: (713) 688-5533
 www.liftmoore.com